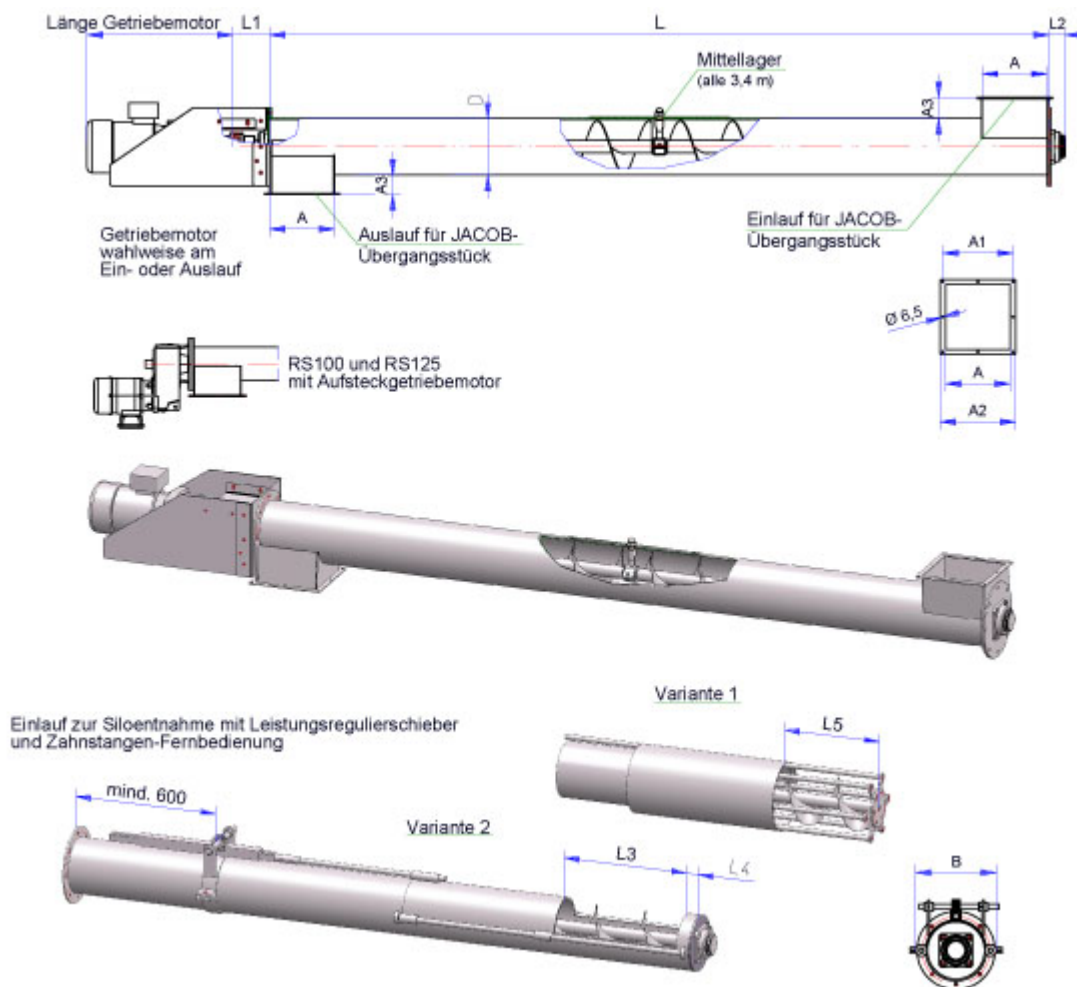


## DIMENSION DRAWING FOR TUBULAR SCREW CONVEYORS

### Dimension drawing for tubular screw conveyors

### TYPES AND DIMENSIONS FOR TUBULAR SCREW CONVEYORS IN STANDARD DESIGN

The dimensions of our different tubular screw conveyor types and their connecting dimensions are shown in the dimension drawing and the following table.



### Dimensions of trough screw conveyors

		RS100	RS125	RS170	RS220	RS270	RS320	RS400
A	mm	180	180	180/250	250	300	300	400
A1	mm	202	202	202	270	325	325	450
A2	mm	220	220	220	290	345	345	480

A3	mm	60	60	69	69	69	69	69
B	mm	-	-	250	311	365	416	-
D	mm	102	129	Ø 168	Ø 219	Ø 273	Ø 324	Ø 406
L1	mm	-	-	132	132	159	159	179
L2	mm	56	56	56	56	59	60	95
L3	mm	-	-	350	500	500	500	-
L4	mm	-	-	42	50	50	60	-
L5	mm	-	-	370	370	380	380	-





---

**Source URL (modified on 12/09/2013 - 11:55):** <https://paul-groth.com/en/node/113>

**Links**

[1] <https://paul-groth.com/en/tags/tubular-screw-conveyors>