

---

## SCREW FEEDER DRS...K WITH INLET 250 X 160 MM

---

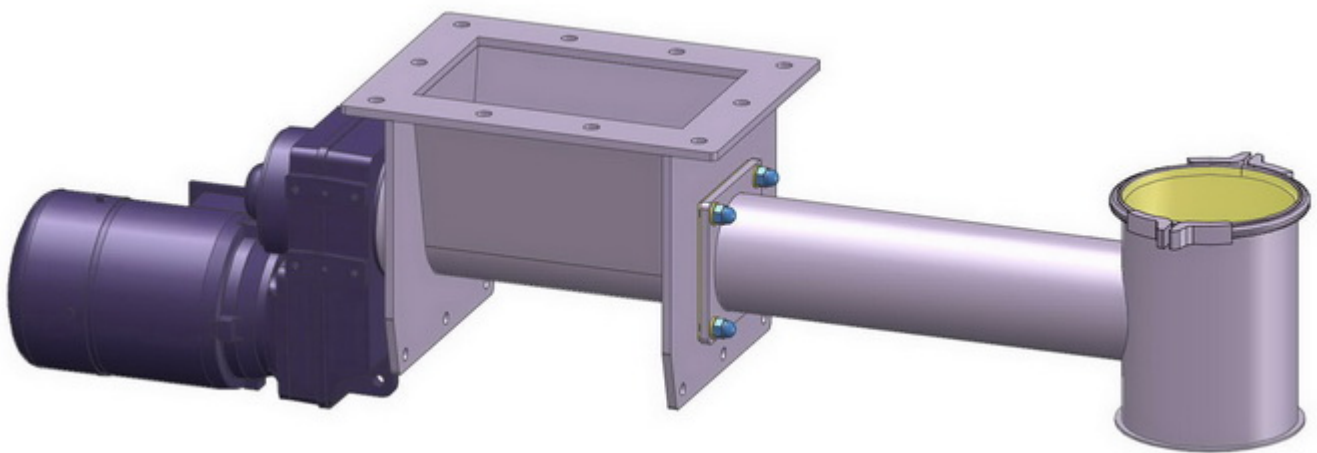
# Screw feeder DRS...K with inlet 250 x 160 mm

---

## SCREW FEEDER DRS...K BASIC CONFIGURATION

---

We would be pleased to discuss your specific requirements with you.



### Screw feeder short description

Parts in contact with the product are made of stainless steel AISI 304

Surface outside: pickled and glass bead blasted

Surface inside: Welding seams grinded and pickled

Screw feeder with geared motor with temperatur sensor for onsite frequency converter

Progressiv thread pitch in the inlet area

Dosing tube dismountable

Sealings in contact with the product are food compatibel according to 1935/2004/EG and FDA

Transparent lid above the outlet fastened with pullring. Alternative: Aspiration connection

For biologically dry food and dry cleaning

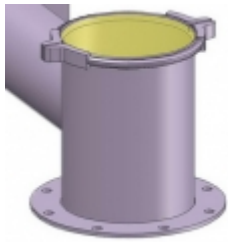
[?Prospect screw feeder DRS...K PDF Download \[1\]](#)

[?Accessories screw feeder DRS...K](#)

[?Dimension sheet DRS...K](#)

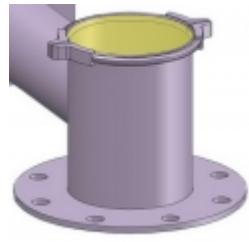
[?Technical data screw feeder DRS](#)

## Alternative outlets or according to customers needs



[2]

JACOB loose flange



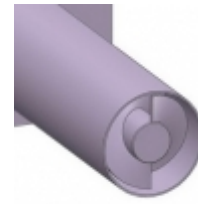
[3]

Fixed flange PN 10



[4]

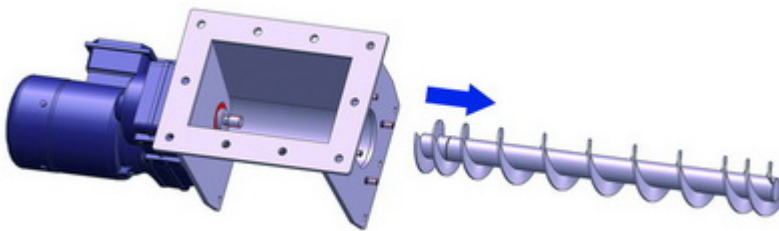
Outlet for mounting a hose



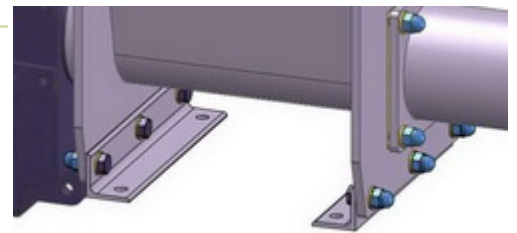
[5]

Horizontal outlet

## Screw shaft screwed in and easy to change



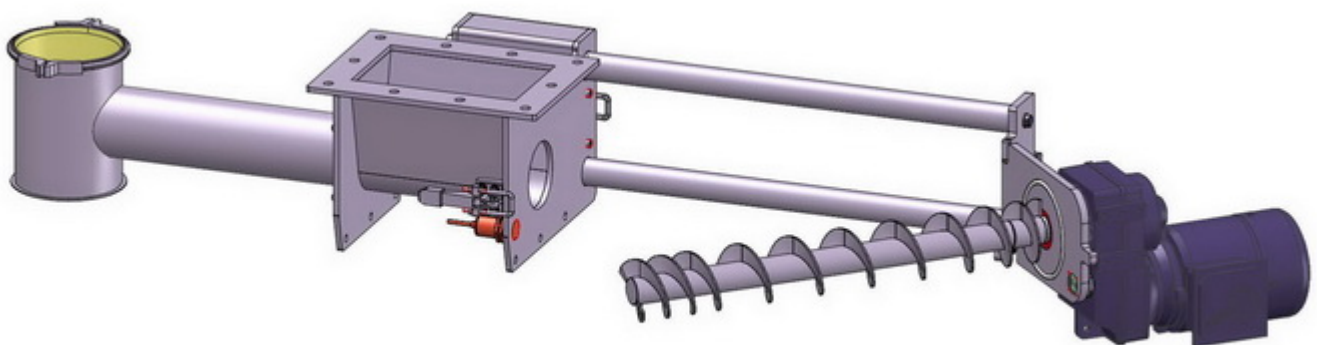
## Fixing holes



optional with angle brackets

## SCREW FEEDER DRS...K ACCESSORIES

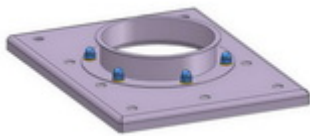
### Thread extraction device for quick and effective cleaning



Cover with connecting flange

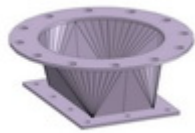
Inlet spout

Pneumatic shutter stamp



Ø150 for JACOB pulling

[6]



[7]

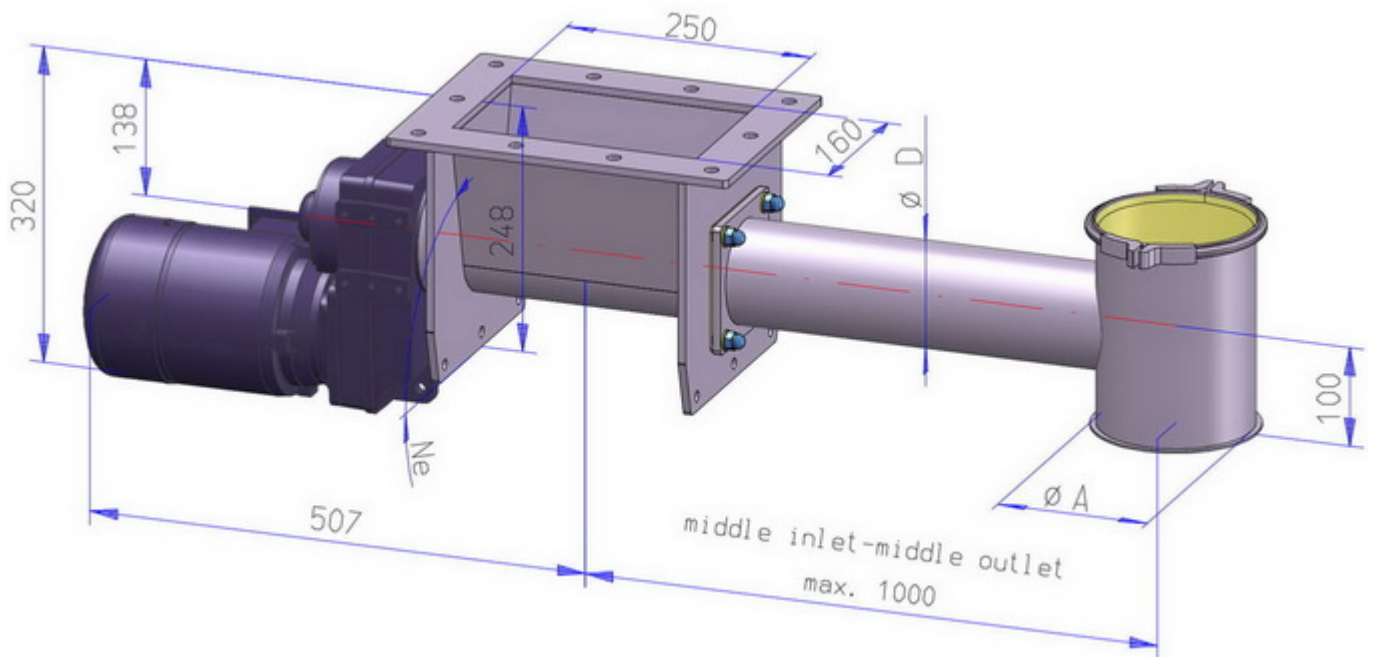
Ø200 for JACOB pulling  
 Ø250 fixed flange PN10  
 Ø300 fixed flange PN10  
 according to customers needs



[8]

[Top](#)

## DIMENSION SHEET SCREW FEEDER DRS...K BASIC CONFIGURATION



	DRS060K	DRS100K	DRS150K
ØD mm	Ø60	Ø103	Ø153
ØA mm	Ø120	Ø150	Ø200
Inclination Ne	70°	77°	88°

### Weight

DRS100K basic configuration

approx. 50 kg

## SCREW FEEDER SIZES AND TECHNICAL DATA

Geared motor rpm at 50 Hz	Rated capacity l/h at 50 Hz Calculated capacity l/h at 5 Hz - 85 Hz with 100% filling					
	DRS060		DRS100		DRS150	
32	<b>85</b> 9-145	0.55 kW	<b>566</b> 57-963	0.55 kW	<b>2,697</b> 270-4,584	0.55 kW
47	<b>125</b> 13-213	0.55 kW	<b>832</b> 83-1,414	0.55 kW	<b>3,961</b> 396-6,733	0.55 kW
66	<b>176</b> 18-299	0.75 kW	<b>1,168</b> 117-1,986	0.75 kW	<b>5,562</b> 558-9,455	0.75 kW
85	<b>227</b> 23-386	0.75 kW	<b>1,504</b> 150-2,557	0.75 kW	<b>7,163</b> 716-12,177	0.75 kW
109	<b>291</b> 29-494	0.75 kW	<b>1,929</b> 193-3,279	0.75 kW	<b>9,185</b> 919-15,615	0.75 kW
129	<b>344</b> 34-585	0.75 kW	<b>2,283</b> 228-3,881	0.75 kW	<b>10,871</b> 1,087-18,480	0.75 kW
161	<b>430</b> 43-730	0.75 kW	<b>2,849</b> 285-4,844	0.75 kW	<b>13,567</b> 1,357-23,065	1.10 kW
190	<b>507</b> 51-862	0.75 kW	<b>3,362</b> 336-5,716	0.75 kW	<b>16,011</b> 1,601-27,219	1.10 kW
236	<b>630</b> 63-1,071	0.75 kW	<b>4,176</b> 418-7,100	0.75 kW	<b>19,888</b> 1,989-33,809	1.10 kW
264	<b>704</b> 70-1,198	0.75 kW	<b>4,672</b> 467-7,942	1.10 kW	<b>22,247</b> 2,225-37,820	1.10 kW
304	<b>811</b> 81-1,379	0.75 kW	<b>5,380</b> 538-9,146	1.10 kW	<b>25,618</b> 2,562-43,551	1.10 kW
356	<b>950</b> 95-1,615	1.10 kW	<b>6,300</b> 630-10,710	1.10 kW	<b>30,000</b> 3,000-51,000	1.10 kW
	Fields with coloured background: Peripheral speed more than 1.0 m/s at 75 Hz. With explosive products only permitted under certain conditions.					





---

**Source URL (modified on 11/27/2017 - 12:18):** <https://paul-groth.com/en/node/620>

### **Links**

- [1] <https://paul-groth.com/sites/default/files/pdf/pg-drsxxxk-2017-en.pdf>
- [2] [https://paul-groth.com/sites/default/files/images/einzelmaschinen/dosierschnecken-drs/drse-auslaeufe\\_01.jpg](https://paul-groth.com/sites/default/files/images/einzelmaschinen/dosierschnecken-drs/drse-auslaeufe_01.jpg)
- [3] [https://paul-groth.com/sites/default/files/images/einzelmaschinen/dosierschnecken-drs/drse-auslaeufe\\_02.jpg](https://paul-groth.com/sites/default/files/images/einzelmaschinen/dosierschnecken-drs/drse-auslaeufe_02.jpg)
- [4] [https://paul-groth.com/sites/default/files/images/einzelmaschinen/dosierschnecken-drs/drse-auslaeufe\\_03.jpg](https://paul-groth.com/sites/default/files/images/einzelmaschinen/dosierschnecken-drs/drse-auslaeufe_03.jpg)
- [5] [https://paul-groth.com/sites/default/files/images/einzelmaschinen/dosierschnecken-drs/drse-auslaeufe\\_04.jpg](https://paul-groth.com/sites/default/files/images/einzelmaschinen/dosierschnecken-drs/drse-auslaeufe_04.jpg)
- [6] [https://paul-groth.com/sites/default/files/images/einzelmaschinen/dosierschnecken-drs/drsk-3d\\_680px\\_10.jpg](https://paul-groth.com/sites/default/files/images/einzelmaschinen/dosierschnecken-drs/drsk-3d_680px_10.jpg)
- [7] [https://paul-groth.com/sites/default/files/images/einzelmaschinen/dosierschnecken-drs/drsk-3d\\_680px\\_11.jpg](https://paul-groth.com/sites/default/files/images/einzelmaschinen/dosierschnecken-drs/drsk-3d_680px_11.jpg)
- [8] [https://paul-groth.com/sites/default/files/images/einzelmaschinen/dosierschnecken-drs/drsk-3d\\_680px\\_08.jpg](https://paul-groth.com/sites/default/files/images/einzelmaschinen/dosierschnecken-drs/drsk-3d_680px_08.jpg)
- [9] <https://paul-groth.com/en/dosing>
- [10] <https://paul-groth.com/en/tags/dosing-screws-0>
- [11] <https://paul-groth.com/en/tags/screw-feeders>
- [12] <https://paul-groth.com/en/tags/tubular-screw-conveyors>