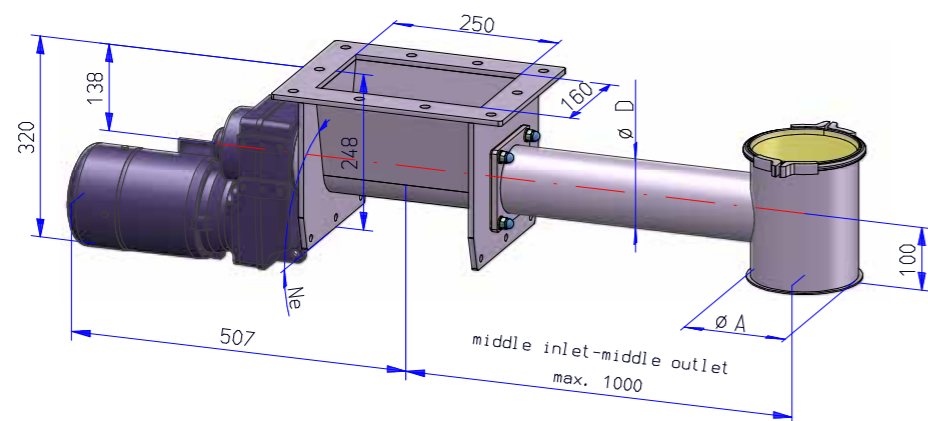


# Screw feeder DRS...K

## Technical data



Weight	
DRS100K basic configuration	approx. 50 kg
Thread extraction device	approx. 25 kg

	DRS060K	DRS100K	DRS150K
ØD mm	Ø60	Ø103	Ø153
ØA mm	Ø120	Ø150	Ø200
Inclination Ne	70°	77°	88°

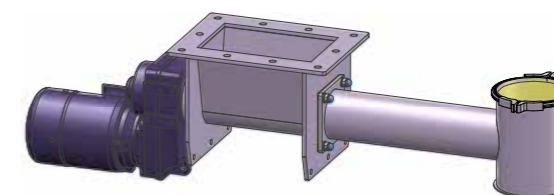
Gear motor rpm at 50 Hz	Rated capacity l/h at 50 Hz					
	DRS060		DRS100		DRS150	
32	85 9-145	0.55 kW	566 57-963	0.55 kW	2,697 270-4,584	0.55 kW
47	125 13-213	0.55 kW	832 83-1,414	0.55 kW	3,961 396-6,733	0.55 kW
66	176 18-299	0.75 kW	1,168 117-1,986	0.75 kW	5,562 556-9,455	0.75 kW
85	227 23-386	0.75 kW	1,504 150-2,557	0.75 kW	7,163 716-12,177	0.75 kW
109	291 29-494	0.75 kW	1,929 193-3,279	0.75 kW	9,185 919-15,615	0.75 kW
129	344 34-585	0.75 kW	2,283 228-3,881	0.75 kW	10,871 1,087-18,480	0.75 kW
161	430 43-730	0.75 kW	2,849 285-4,844	0.75 kW	13,567 1,357-23,065	1.10 kW
190	507 51-862	0.75 kW	3,362 336-5,716	0.75 kW	16,011 1,601-27,219	1.10 kW
236	630 63-1,071	0.75 kW	4,176 418-7,100	0.75 kW	19,888 1,989-33,809	1.10 kW
264	704 70-1,198	0.75 kW	4,672 467-7,942	1.10 kW	22,247 2,225-37,820	1.10 kW
304	811 81-1,379	0.75 kW	5,380 538-9,146	1.10 kW	25,618 2,562-43,551	1.10 kW
356	950 95-1,615	1.10 kW	6,300 630-10,710	1.10 kW	30,000 3,000-51,000	1.10 kW

Dark fields: Peripheral speed more than 1.0 m/s at 75 Hz.  
With explosive products only permitted under certain conditions.

# Screw Feeder DRS...K



[www.paul-groth.com](http://www.paul-groth.com)



**PAUL GROTH**  
Mühlenbau GmbH & Co. KG

# Screw feeder DRS...K with inlet 250 x 160 mm

We would be pleased to discuss your specific requirements with you.

**Shaft sealing** available with

- shaft sealing ring
- with flushing air
- with stuffing box
- with CinchSeal®

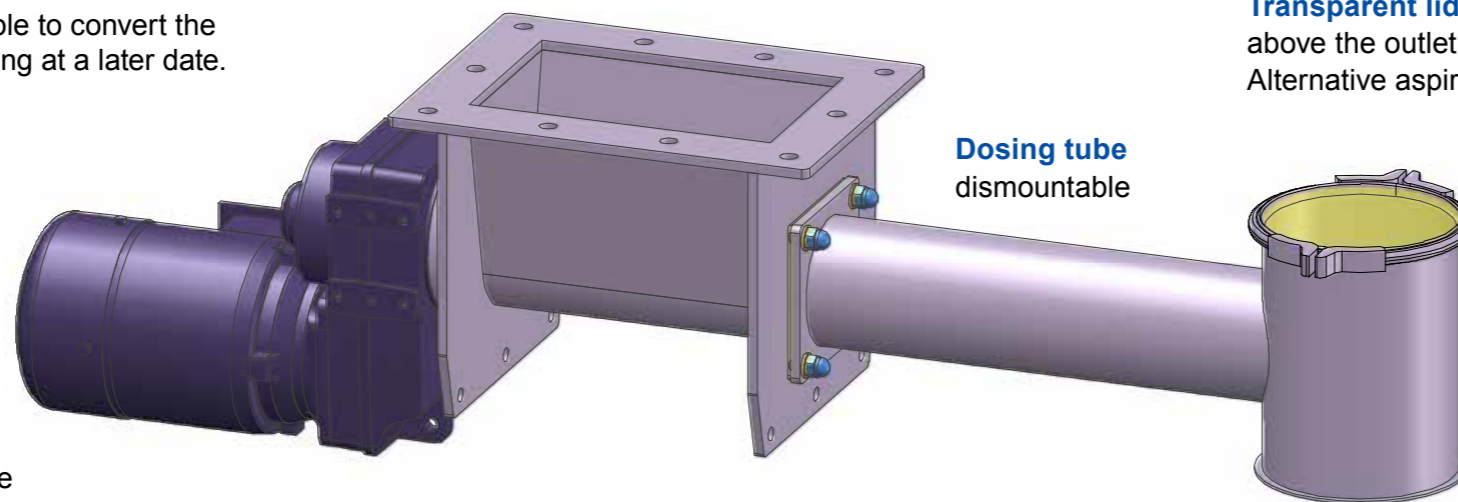
It is possible to convert the shaft sealing at a later date.

**Shaft mounted geared motor**

make NORD  
with temperatur sensor  
for onsite frequency converter

**Screw shaft**

- screwed in and easy to change
- progressive thread pitch



**Transparent lid**

above the outlet fastened with pulling.  
Alternative aspiration connection

**Dosing tube**  
dismountable

**Outlet** for JACOB pulling

**Made of**  
Stainless steel AISI 304 (1.4301)  
pickled and  
glas bead blasted

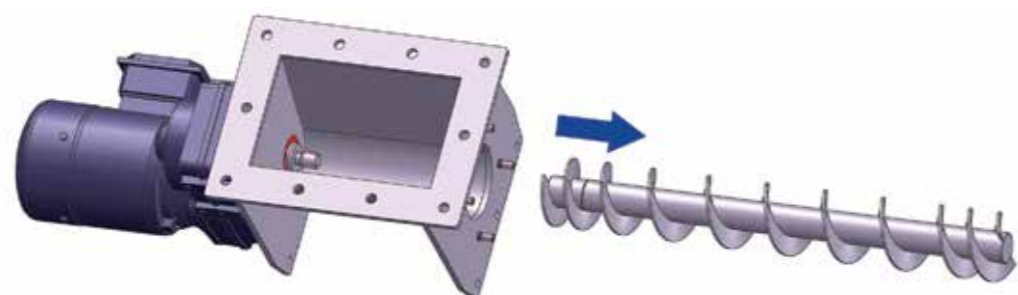
**Optional version**



for dry food and  
dry cleaning

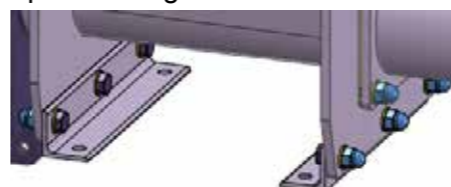


for ATEX zone 22  
Kat. II3D

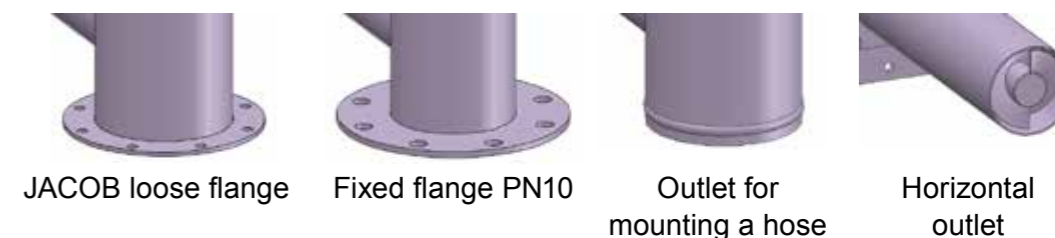


**Fixing holes**

optional: angle brackets

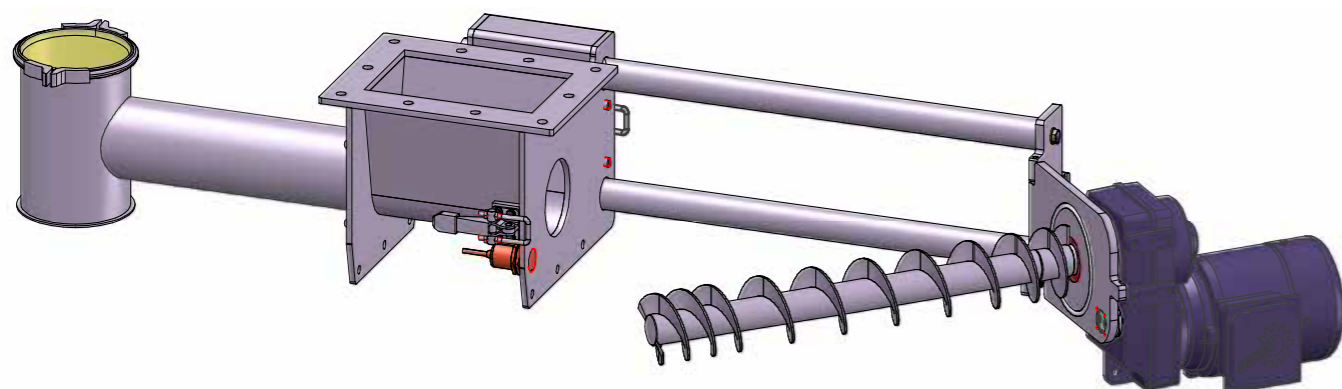


**Alternative outlets** or according to customers needs

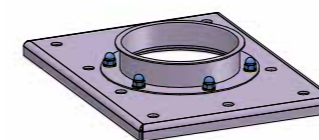


## Accessories

**Thread extraction device**  
for quick and effective cleaning

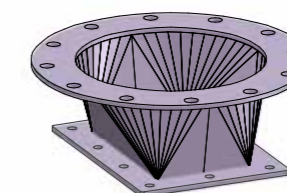


**Cover with connecting flange**



- Ø150 for JACOB pulling

**Inlet spout**



- Ø200 for JACOB pulling
  - Ø250 fixed flange PN10
  - Ø300 fixed flange PN10
- or according to customers needs

**Pneumatic shutter stamp**  
for the outlet

