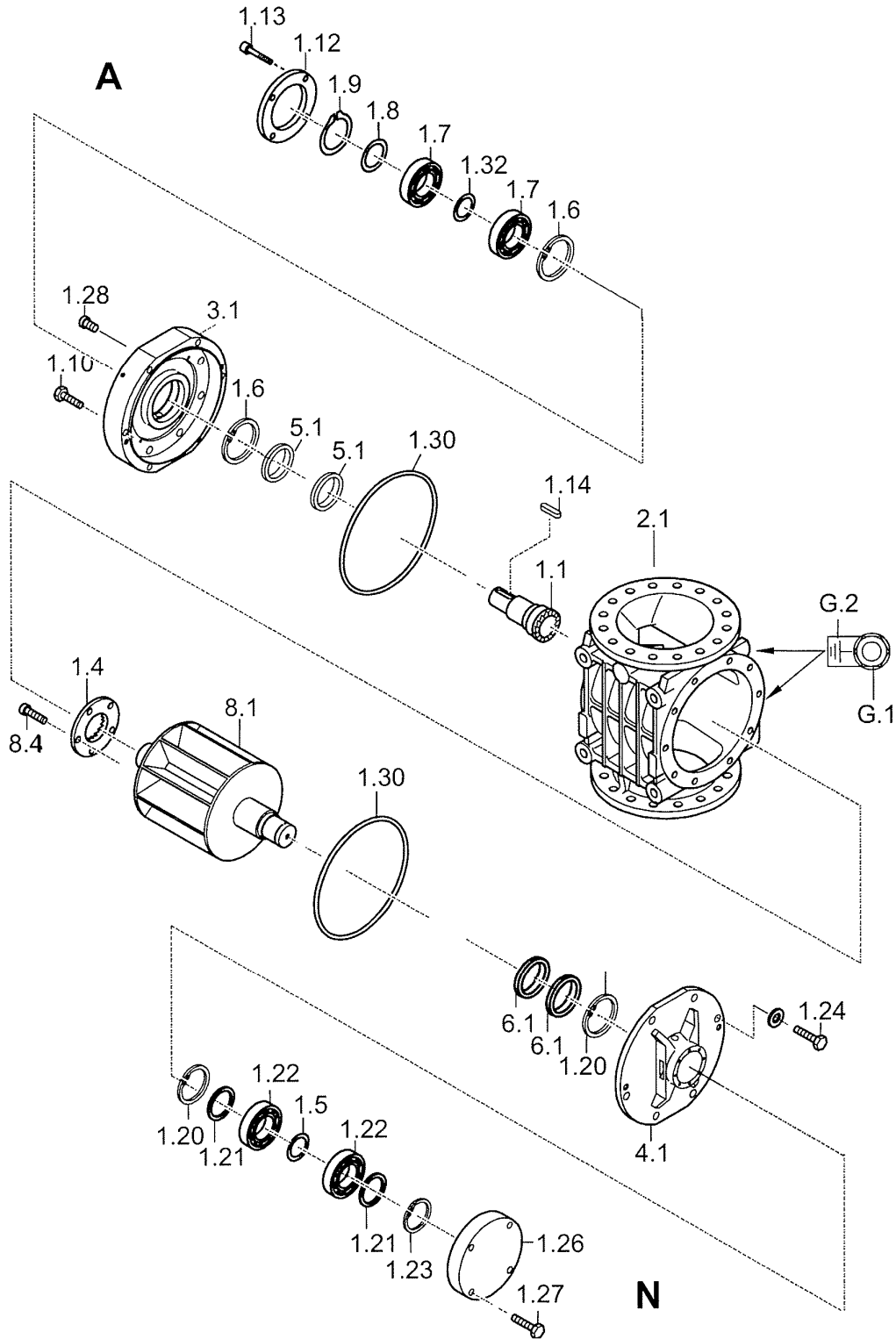


Standard version (.1 version)

Item	Designation	DIN	Quantity/unit	K*
1	BASIC UNIT			
1.6	Cover ring	-	1	E
1.7	Bolt	912	4	
1.8	Bolt	910	6	
1.11	Retaining ring	472	6	
1.12	Supporting ring	988	2	
1.13	Anti-friction bearing	625	2	E
1.14	Hexagon bolt	933	4	
1.19	Retaining ring	471	1	
1.23	Hexagon bolt	933	6	
1.30	O-ring	-	2	
2	HOUSING			
2.1	Housing ZV	-	1	
2.1	Housing ZG	-	1	
3	SIDE COVER			
3.1	Side cover	-	2	
5	SHAFT SEAL WN/WF			
5.1	Shaft seal ring	-	4	V
8	STAR WHEEL			
8.1	Star wheel	-	1	

* E = Spare part; V = Wearing part

Rapid cleaning (.2 version)



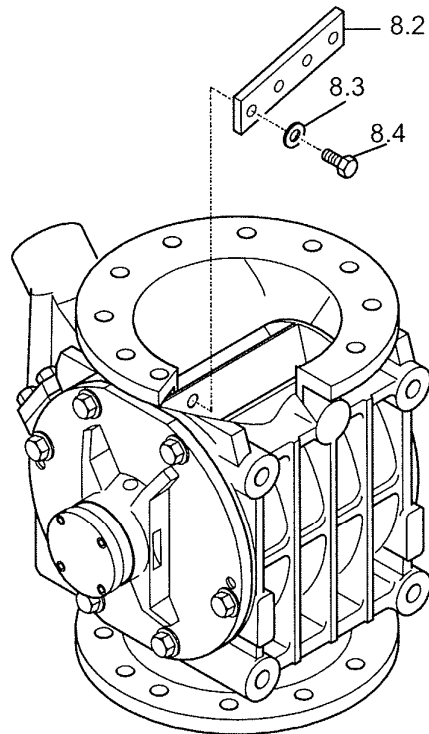
A = Drive end

N = Non-drive end

Rapid cleaning (.2 version)

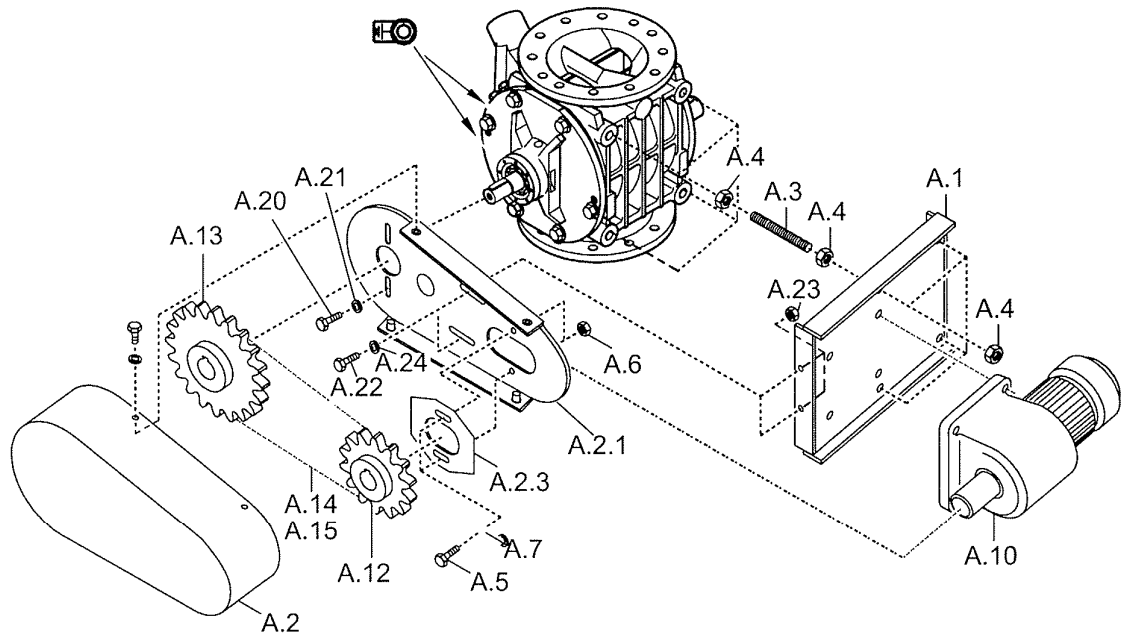
Item	Designation	DIN	Quantity/unit	K*
1	BASIC UNIT			
1.1	Driving sleeve	-	1	E
1.5	Spacer	988	1	E
1.6	Retaining ring	472	2	
1.7	Anti-friction bearing	625	2	E
1.8	Supporting ring	988	1	
1.9	Retaining ring	471	1	
1.10	Hexagon bolt	933	4	
1.12	Bearing ring	-	1	E
1.13	Bolt	912	4	
1.14	Feather key	6885	1	
1.20	Retaining ring	472	2	
1.21	Supporting ring	988	2	
1.22	Anti-friction bearing	625	2	E
1.23	Retaining ring	471	1	
1.24	Hexagon bolt	933	6	
1.26	Cover ring	-	1	E
1.27	Hexagon bolt	933	4	
1.28	Screw plug	910	2	
1.30	O-ring	-	2	
1.32	Spacer	988	1	E
2	HOUSING			
2.1	Housing ZV	-	1	
2.1	Housing ZG	-	1	
3	SIDE COVER			
3.1	Side cover	-	1	
4	SIDE COVER			
4.1	Side cover	-	1	
5	SHAFT SEAL WN/WF			
5.1	Shaft seal ring	-	2	V
6	SHAFT SEAL WN/WF			
6.1	Shaft seal ring	-	2	V

* E = Spare part; V = Wearing part



Item	Designation	DIN	Quantity/unit	K*
8	STAR WHEEL			
8.1	Star wheel	-	1	
8.2	Wearing sleeve	-	1	V
8.3	Washer	125	4	
8.4	Hexagon bolt	933	4	

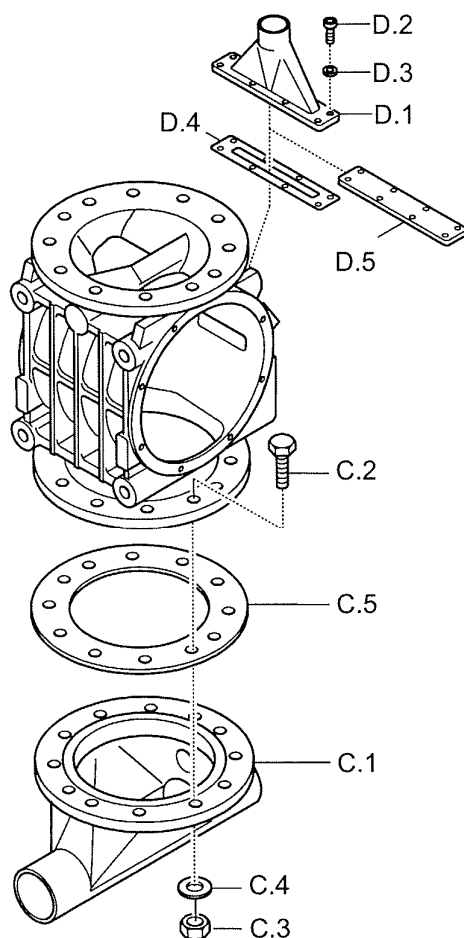
*E = Spare part; V = Wearing part



* to A.2

Item	Designation	DIN	Quantity/unit	K*
A	MOTOR ATTACHMENT			
	Geared motor with chain drive			
A.1	Motor base plate	-	1	
A.2	Chain guard complete	-	1	
A.3	Threaded rod	-	4	
A.4	Hexagon nut	934	12	
A.5	Hexagon bolt	933	4	
A.6	Hexagon nut	934	4	
A.7	Washer	125	8	
A.10	Geared motor	-	1	
A.12	Motor sprocket wheel	-	1	
A.13	Rotary valve sprocket wheel	-	1	
A.14	Chain	8187	1	V
A.15	Shackle type connector	-	1	V
A.20	Hexagon bolt	933	2	
A.21	Washer	125	2	
A.22	Hexagon bolt	933	2	
A.23	Hexagon nut	934	2	
A.24	Washer	125	2	
A.25	Grommet	-	1	

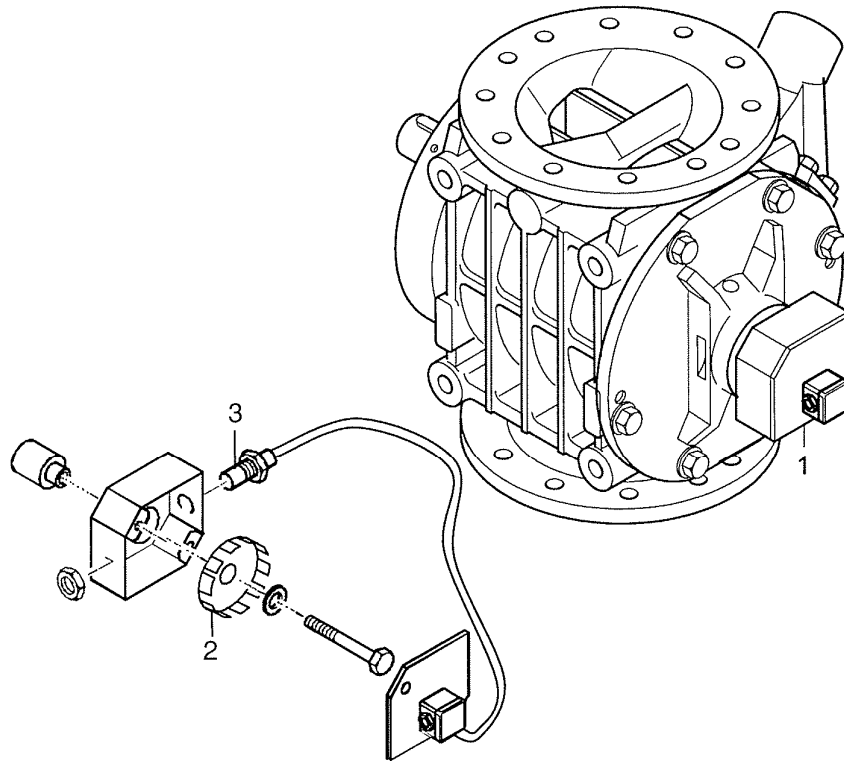
*E = Spare part; V = Wearing part



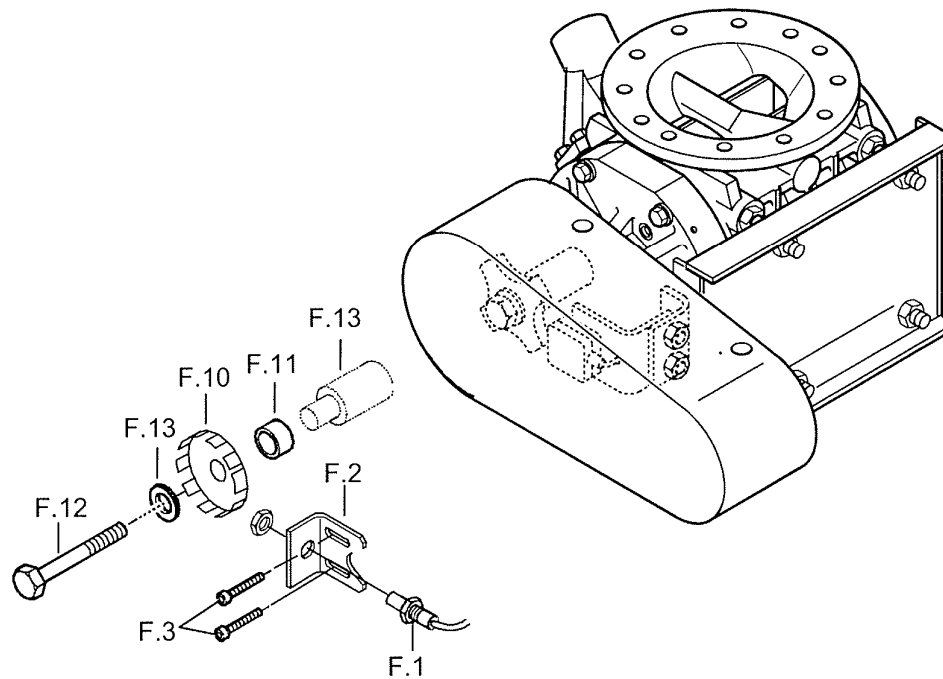
Item	Designation	DIN	Quantity/unit	K*
	Type ZV_/ZG_			
C.1	Pick-up tee	-	1	
C.2	Hexagon bolt	933	-	
C.3	Hexagon nut	934	-	
C.4	Washer	125	-	
C.5	Gasket	-	1	
D.1	Gas leakage connection ZV_/ZG_	-	1	
D.2	Bolt		-	
D.3	Washer		-	
D.4	Gasket		1	
D.5	Blank flange		1	

*E = Spare part; V = Wearing part

Speed monitor, non-drive end

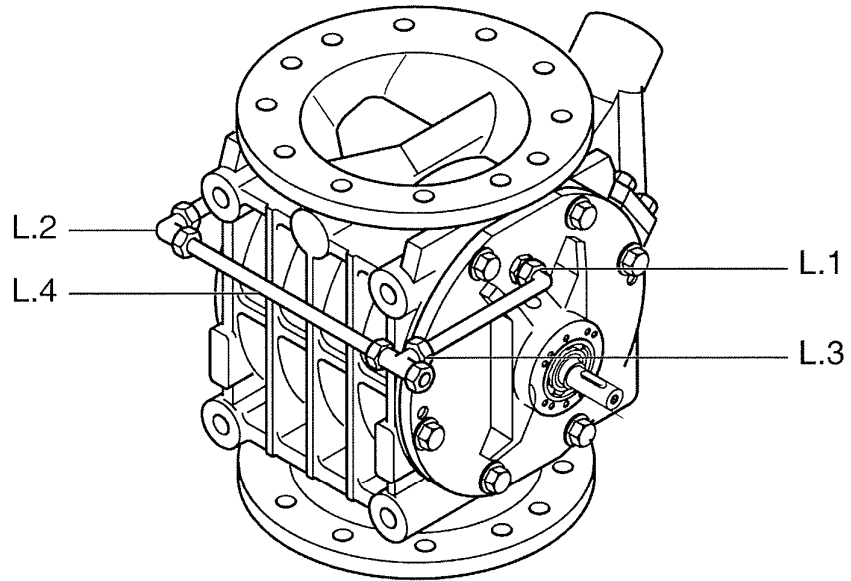


Speed monitor, in chain guard



Item	Designation	DIN	Quantity/unit	K*
F	SPEED MONITOR			
	Non-drive end			
F.1	Housing	-	1	
F.3	Bush	-	1	
F.4	Pulse wheel	-	1	
F.5	Safety washer	93	1	
F.7	Hexagon bolt	933	1	
F.8	Washer	9021	1	
F.9	Hexagon bolt	933	2	
F.10	Washer	125	2	
F.11	Proximity switch	-	1	E
F.12	Terminal box	-	1	
F.13	Bolt	912	2	
	In chain guard			
F.1	Proximity switch		1	E
F.2	Speed monitor carrier		1	
F.3	Mounting flange		1	
F.4	Hexagon bolt		4	
F.5	Washer		4	
F.6	Hexagon nut		4	
F.10	Pulse wheel		1	
F.11	Bush		1	
F.12	Hexagon bolt		1	
F.13	Washer		1	

*E = Spare part; V = Wearing part



Item	Designation	DIN	Quantity/unit	K*
L	Gas lock for side cover			
L.1	Nipple	-	2	
L.2	Elbow	-	2	
L.3	T piece	-	1	
L.4	Tube	-	-	

*E = Spare part; V = Wearing part